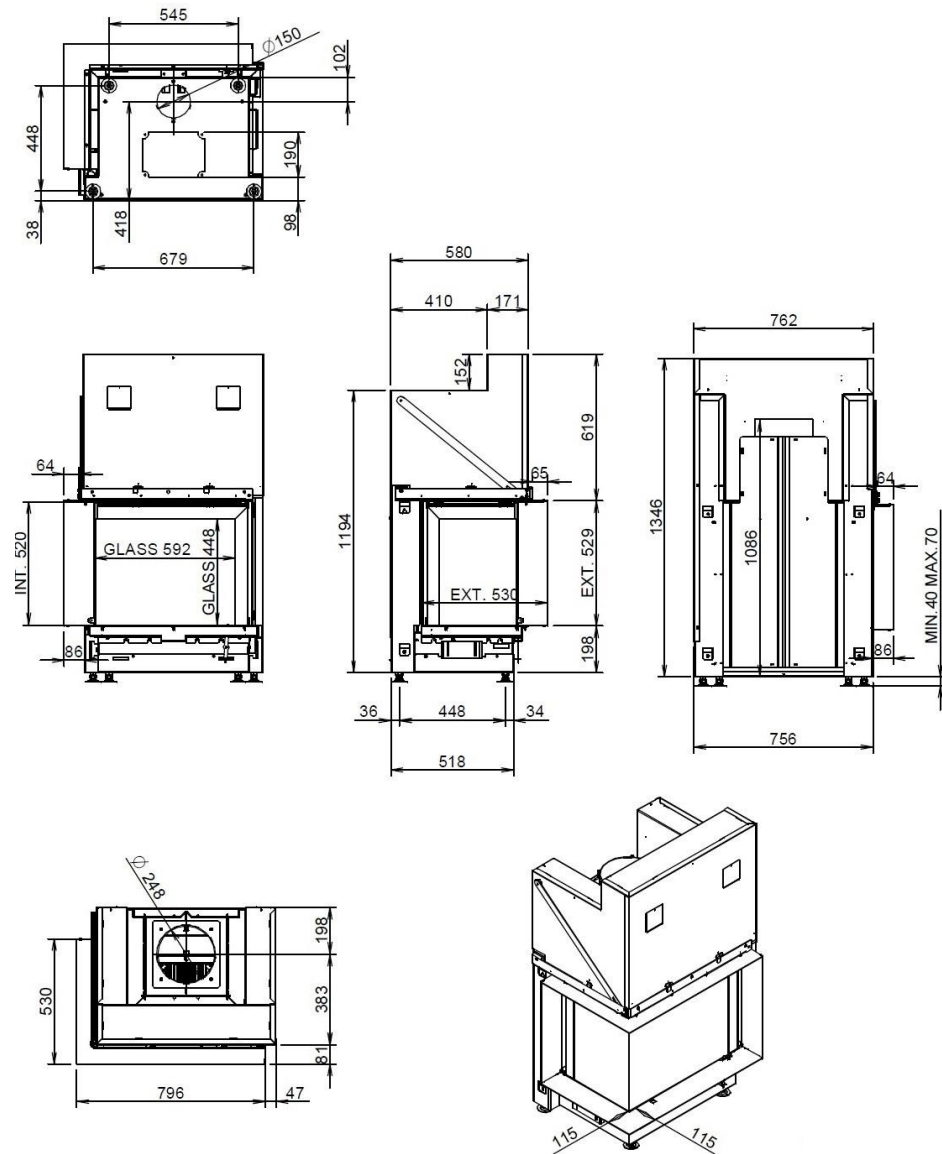


ARGENTO 660 CL,CR,DC 860 CL,CR,DC

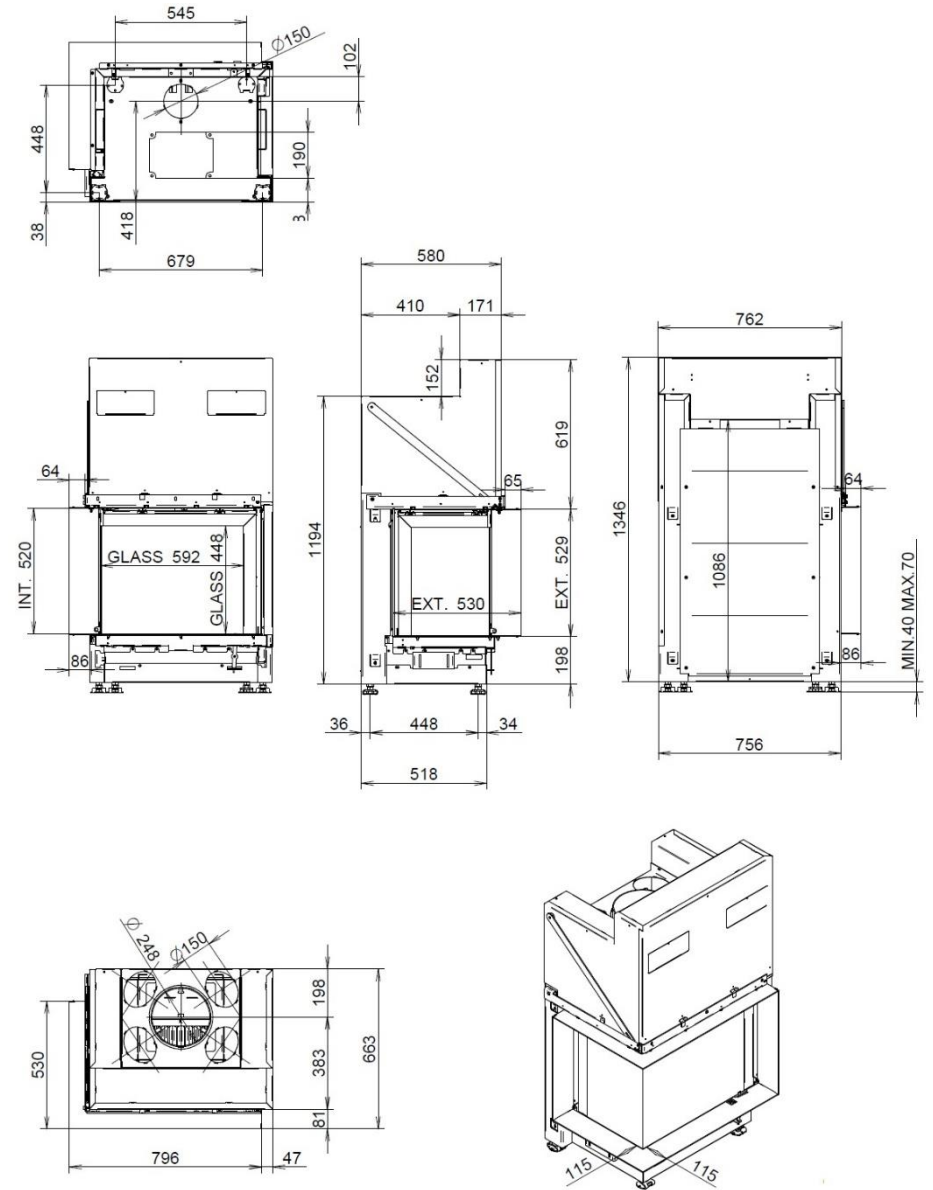


7. TECHNICAL DRAWINGS

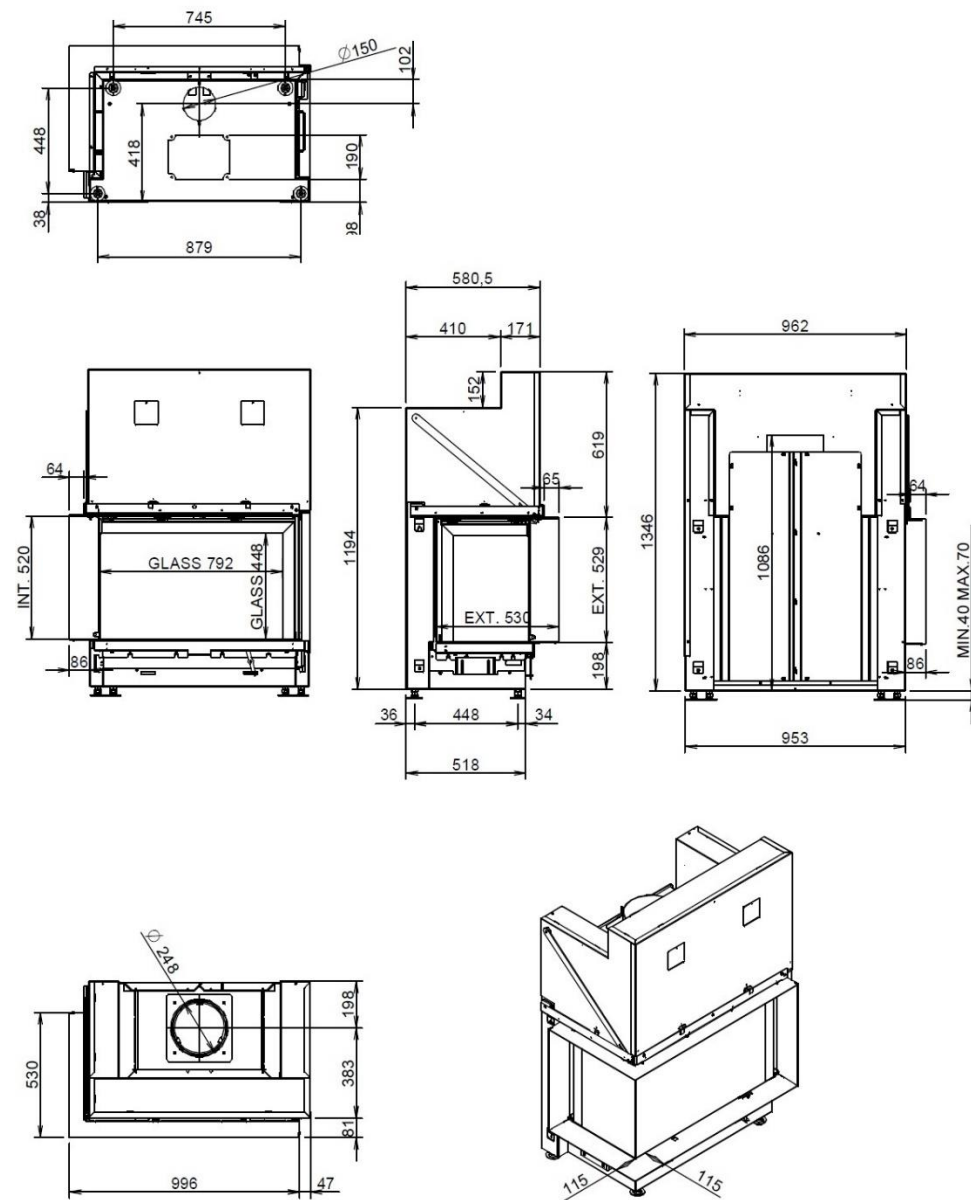
ARGENTO 660 CL/CR Basic (without convection chamber)



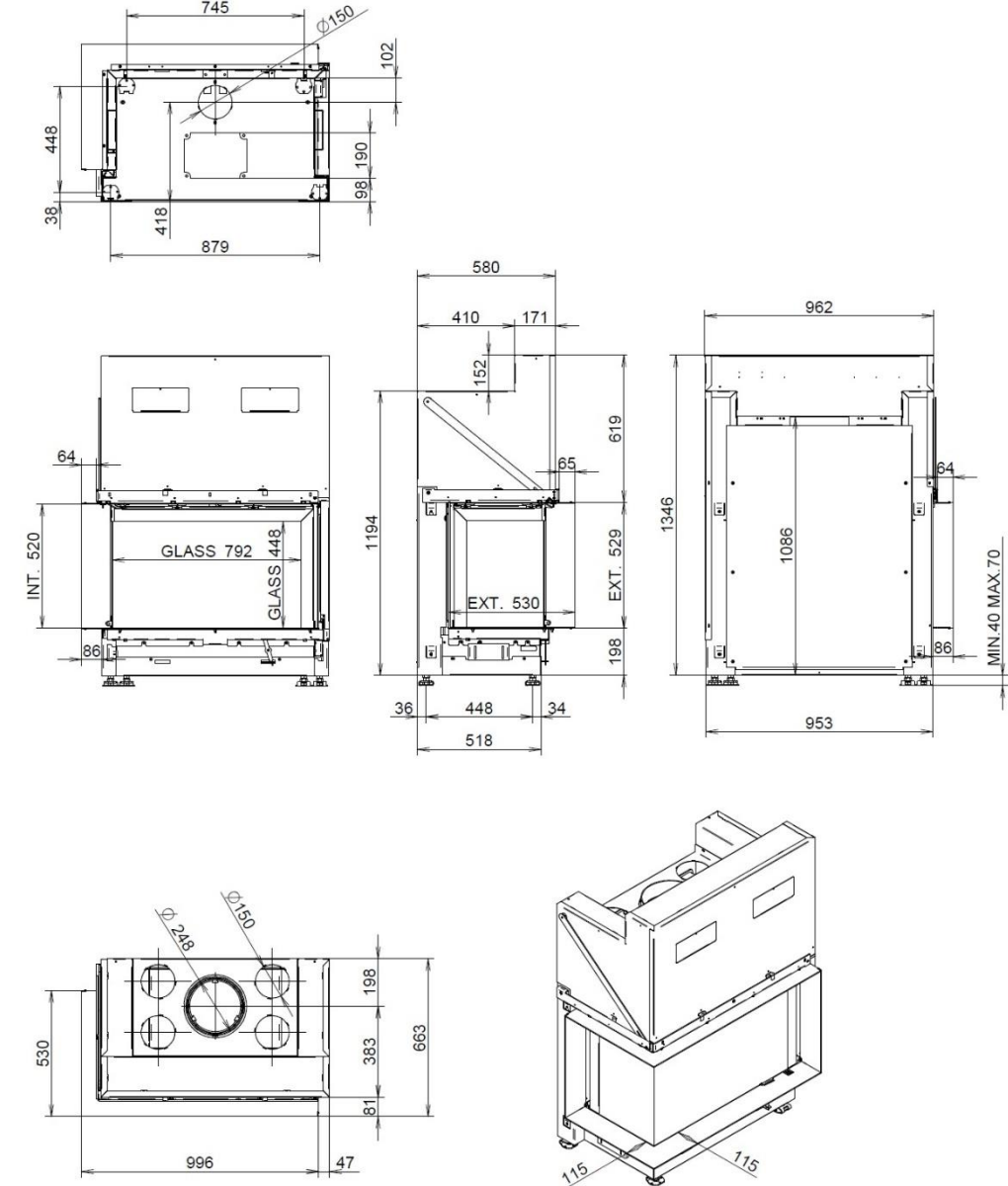
ARGENTO 660 CL/CR Premium (with convection chamber)



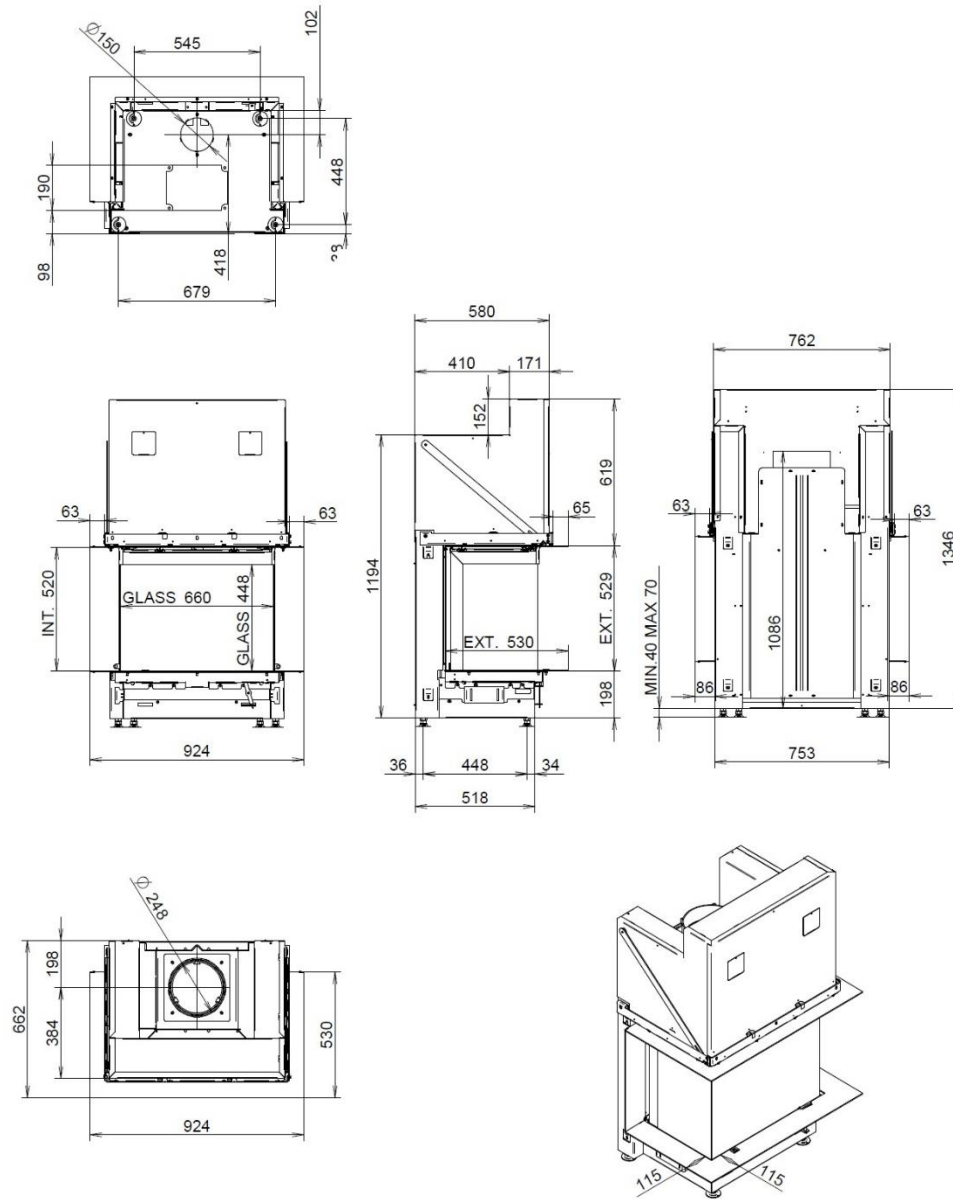
Argento 860 CL/CR Basic (without convection chamber)



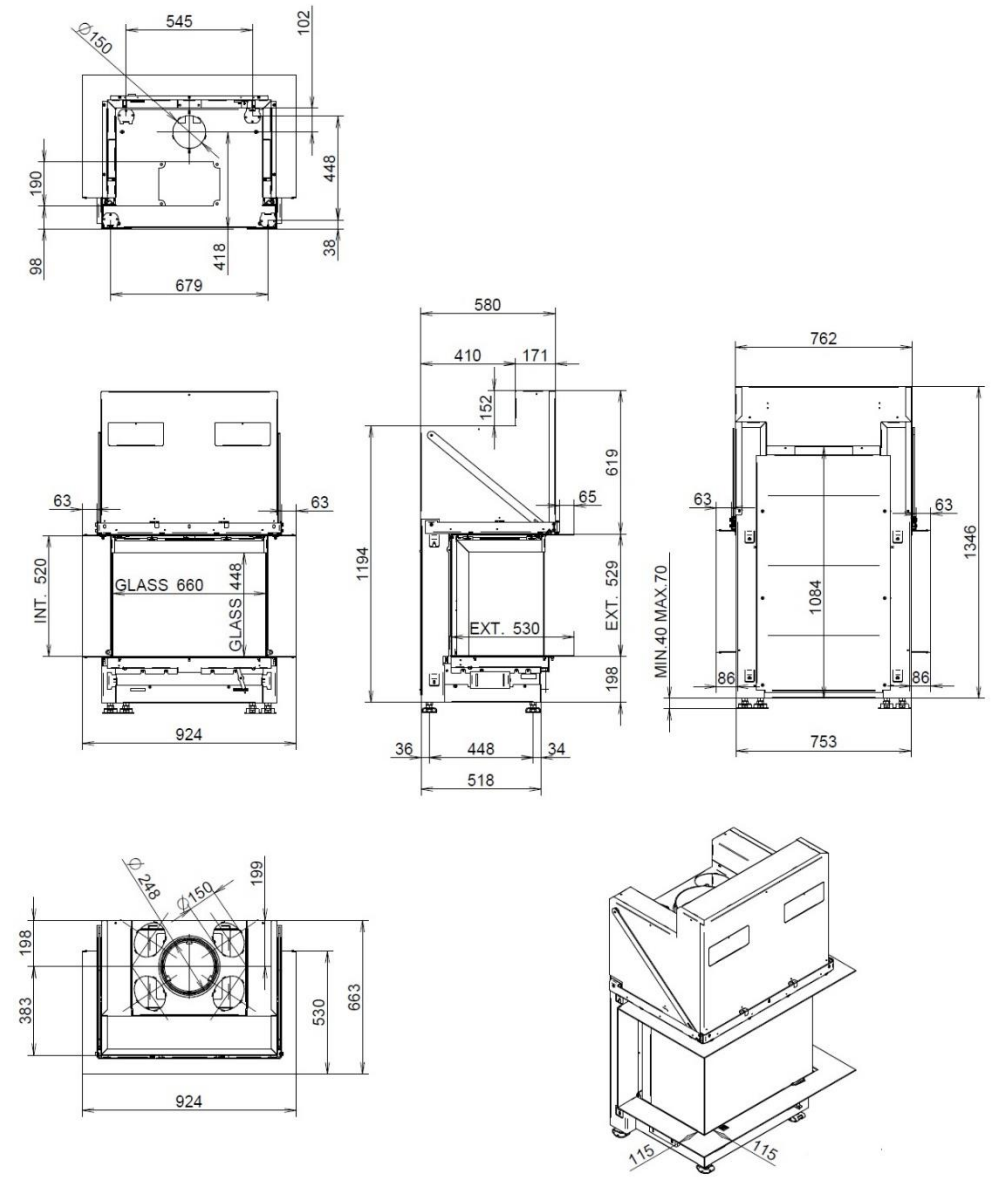
Argento 860 CL/CR Premium (with convection chamber)



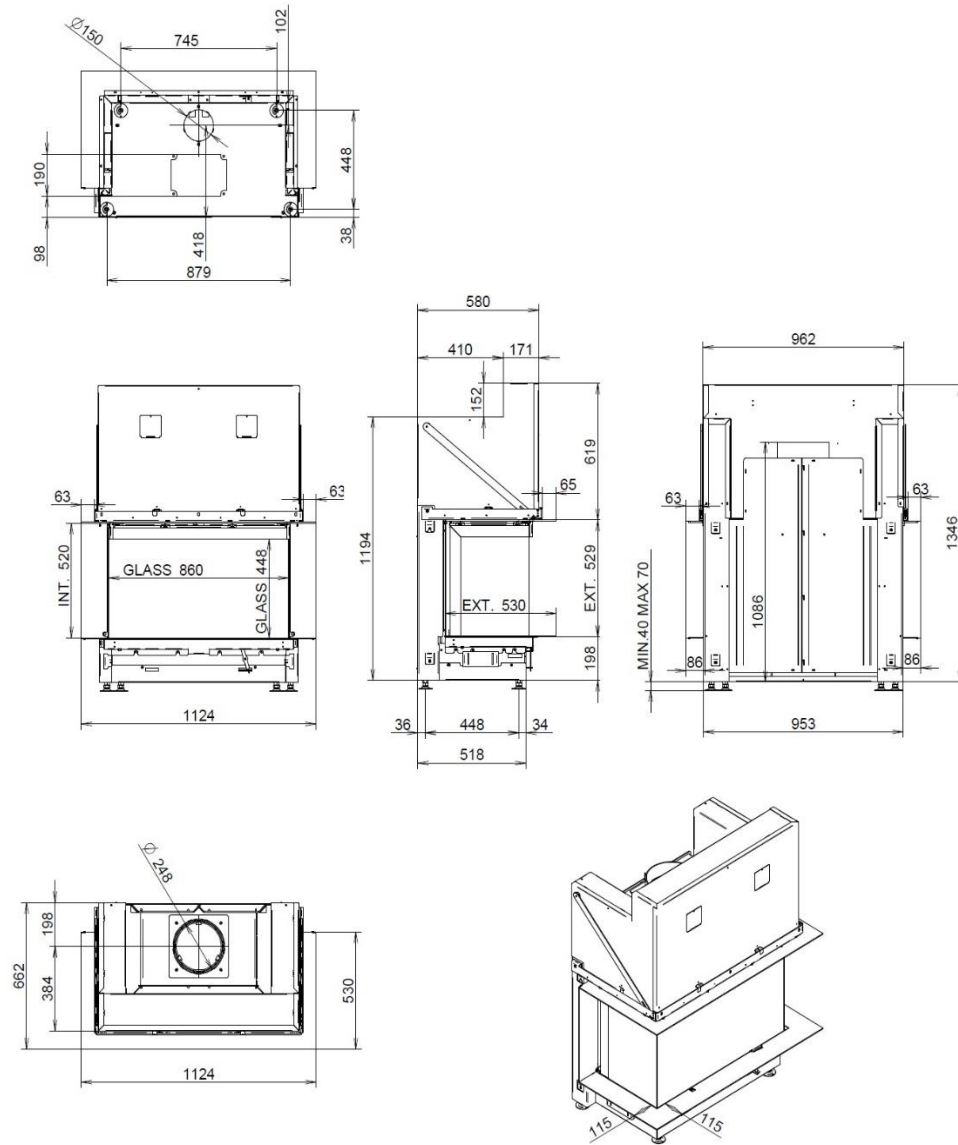
Argento 660 DC Basic (without convection chamber)



Argento 660 DC Premium (with convection chamber)



Argento 860 DC Basic (without convection chamber)



Argento 860 DC Premium (with convection chamber)

